



**MAGNE POWER**

# SERVICE PARTS INFORMATION

Magneclutch Magnetic Particle Clutch

MAGNECLUTCH  
MODELS:  
**50MC90B20**  
**50MCW90B20**  
**50MC90F20/22**



MODEL	REPAIR KIT
50MC90B20	○ 2906942
50MCW90B20	● 2906943
50MC90F20	□ 2906944

NOTE  
METAL SHIELD OF BEARINGS  
MUST FACE IN, TOWARD EACH  
OTHER, WHEN ASSEMBLED.

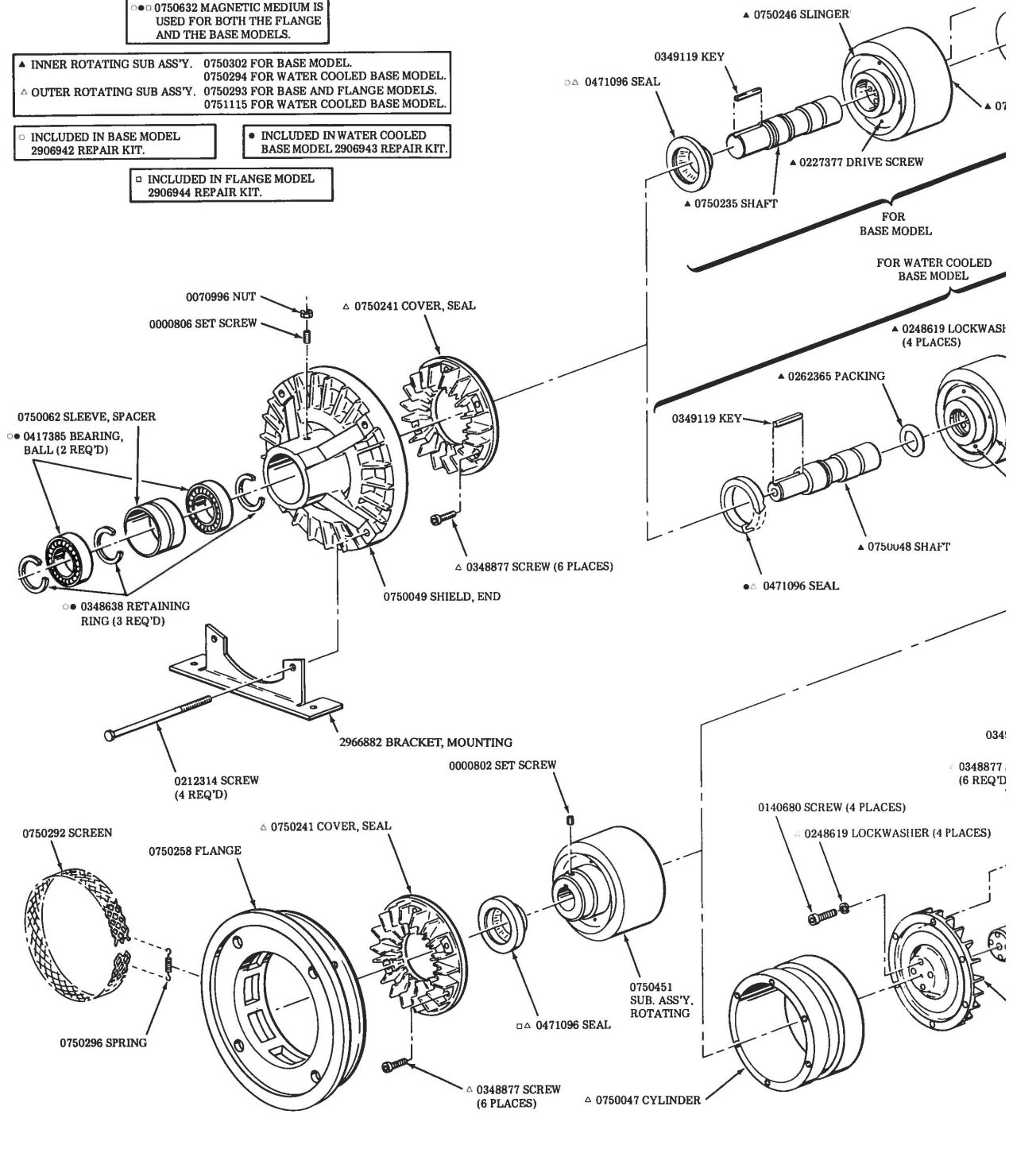
○ □ 0750632 MAGNETIC MEDIUM IS  
USED FOR BOTH THE FLANGE  
AND THE BASE MODELS.

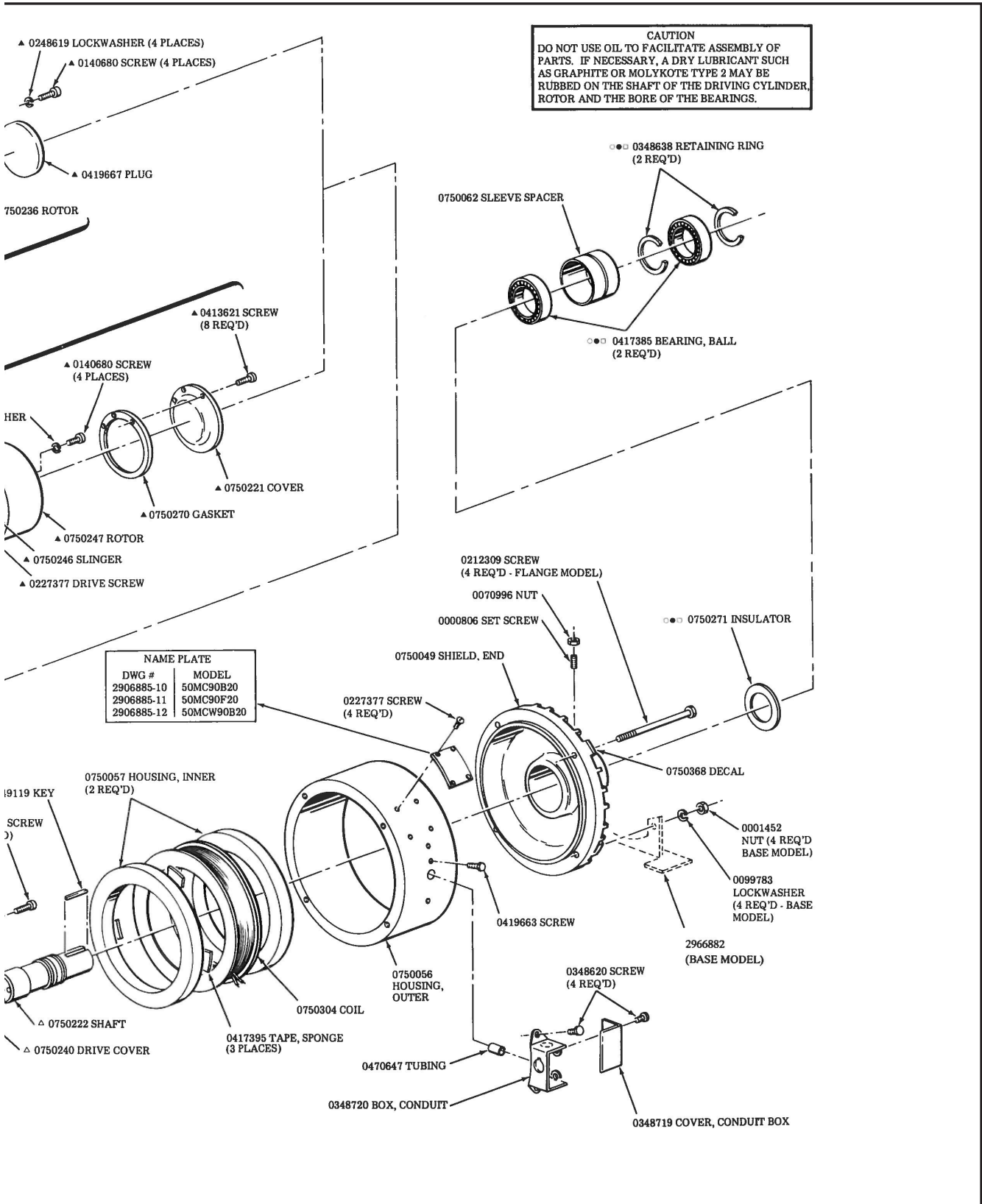
▲ INNER ROTATING SUB ASS'Y. 0750302 FOR BASE MODEL.  
0750294 FOR WATER COOLED BASE MODEL.  
△ OUTER ROTATING SUB ASS'Y. 0750293 FOR BASE AND FLANGE MODELS.  
0751115 FOR WATER COOLED BASE MODEL.

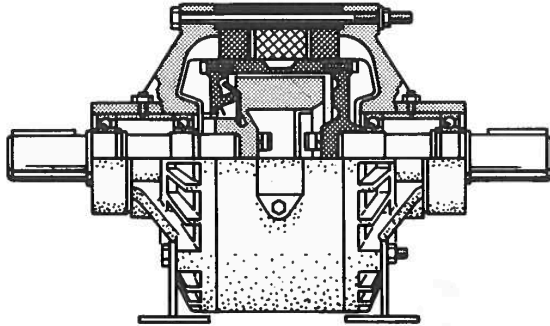
○ INCLUDED IN BASE MODEL  
2906942 REPAIR KIT.

● INCLUDED IN WATER COOLED  
BASE MODEL 2906943 REPAIR KIT.

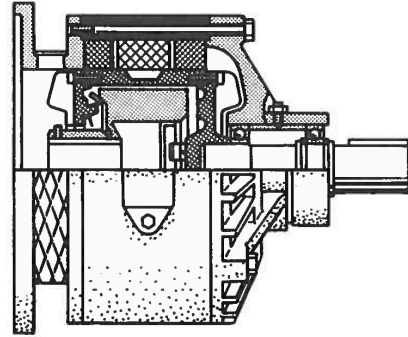
□ INCLUDED IN FLANGE MODEL  
2906944 REPAIR KIT.





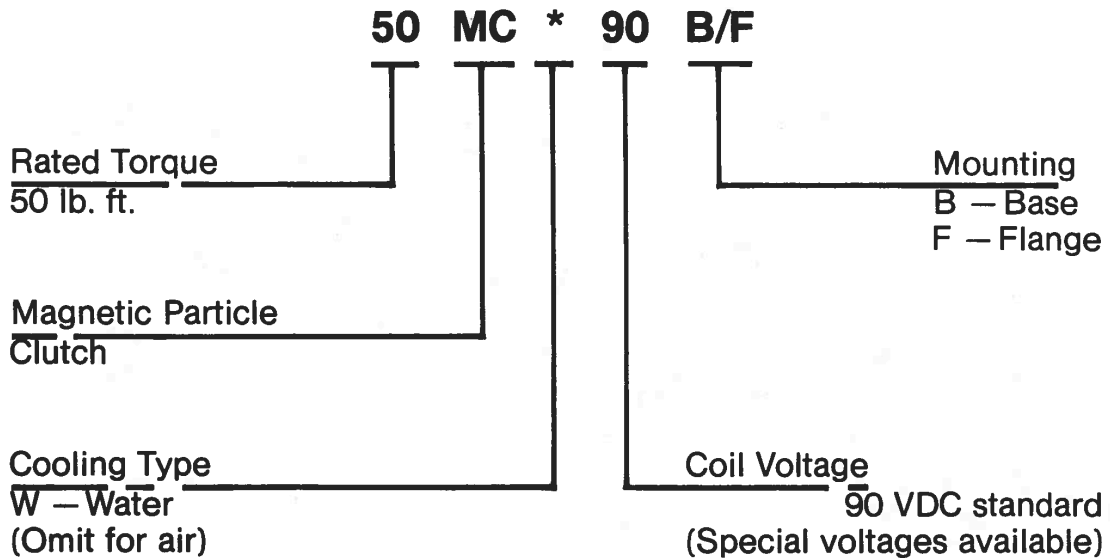


**TYPICAL BASE MODEL  
SECTIONAL VIEW**



**TYPICAL FLANGE MODEL  
SECTIONAL VIEW**

## MODEL CODE BREAKDOWN



Design numbers subject to change. Installation dimensions remain as shown for design numbers 20 thru 29.