

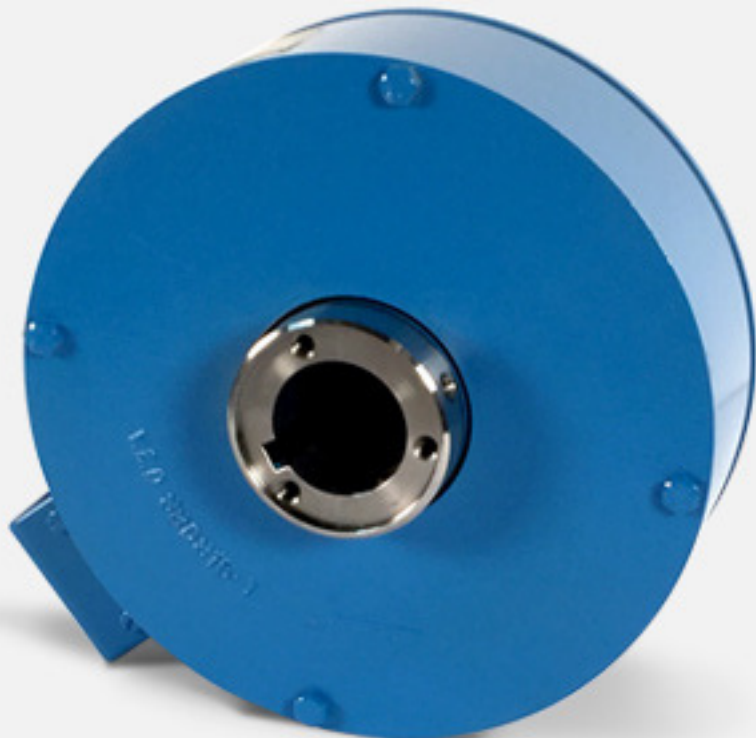


MAGNE POWER

SERVICE PARTS INFORMATION

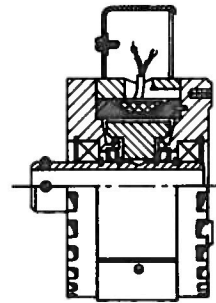
Magnebrake Magnetic Particle Brake
Shaft Mounted

MAGNEBRAKE
MODELS:
5MB90S
25MB90S
50MB90S
75MB90S

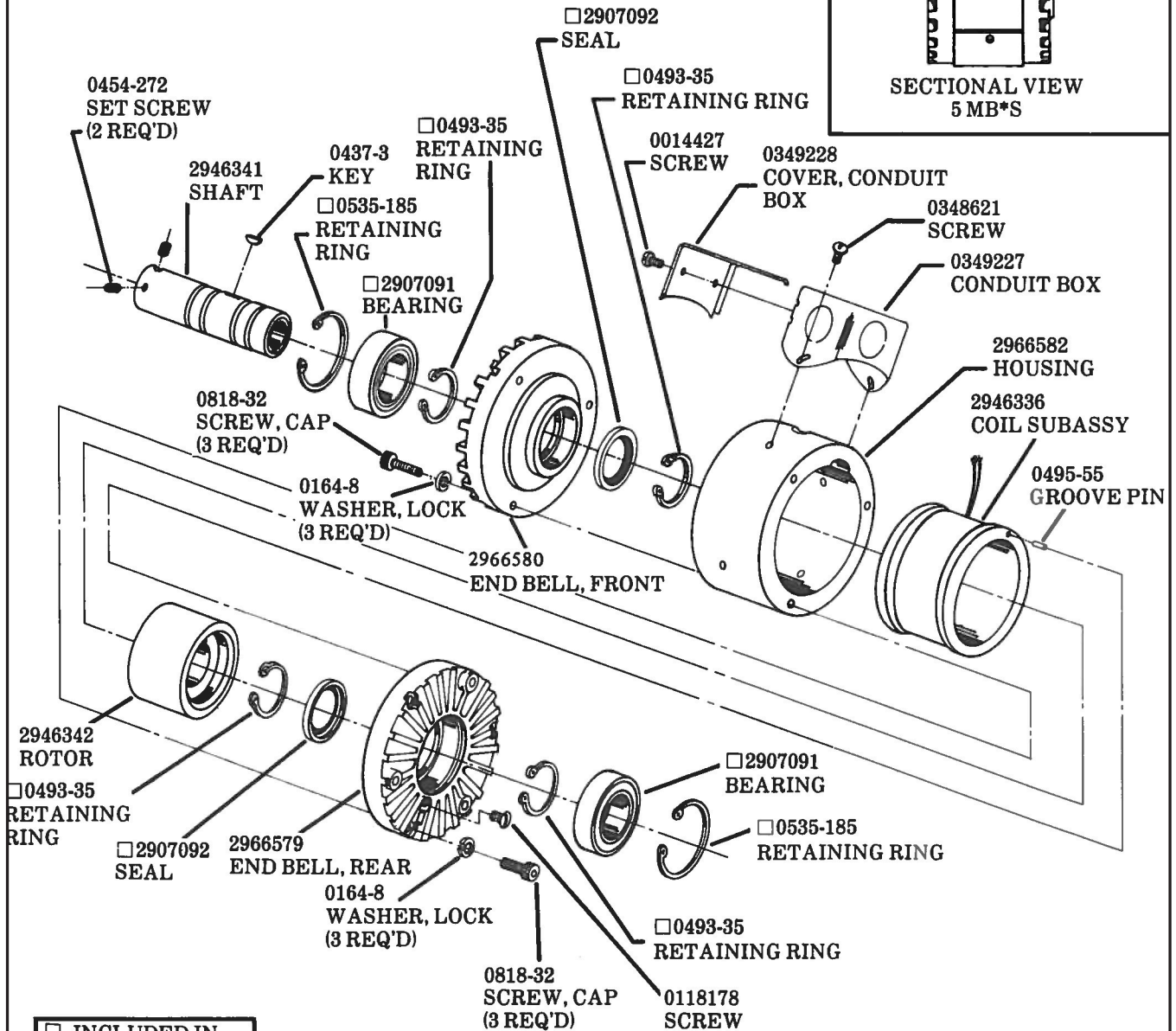


5MB90S

2907106-001 MAGNETIC MEDIUM S/A
(REQUIRED FOR THE 5 LB. FT.
MAGNEBRAKE SERIES)



SECTIONAL VIEW
5 MB*S

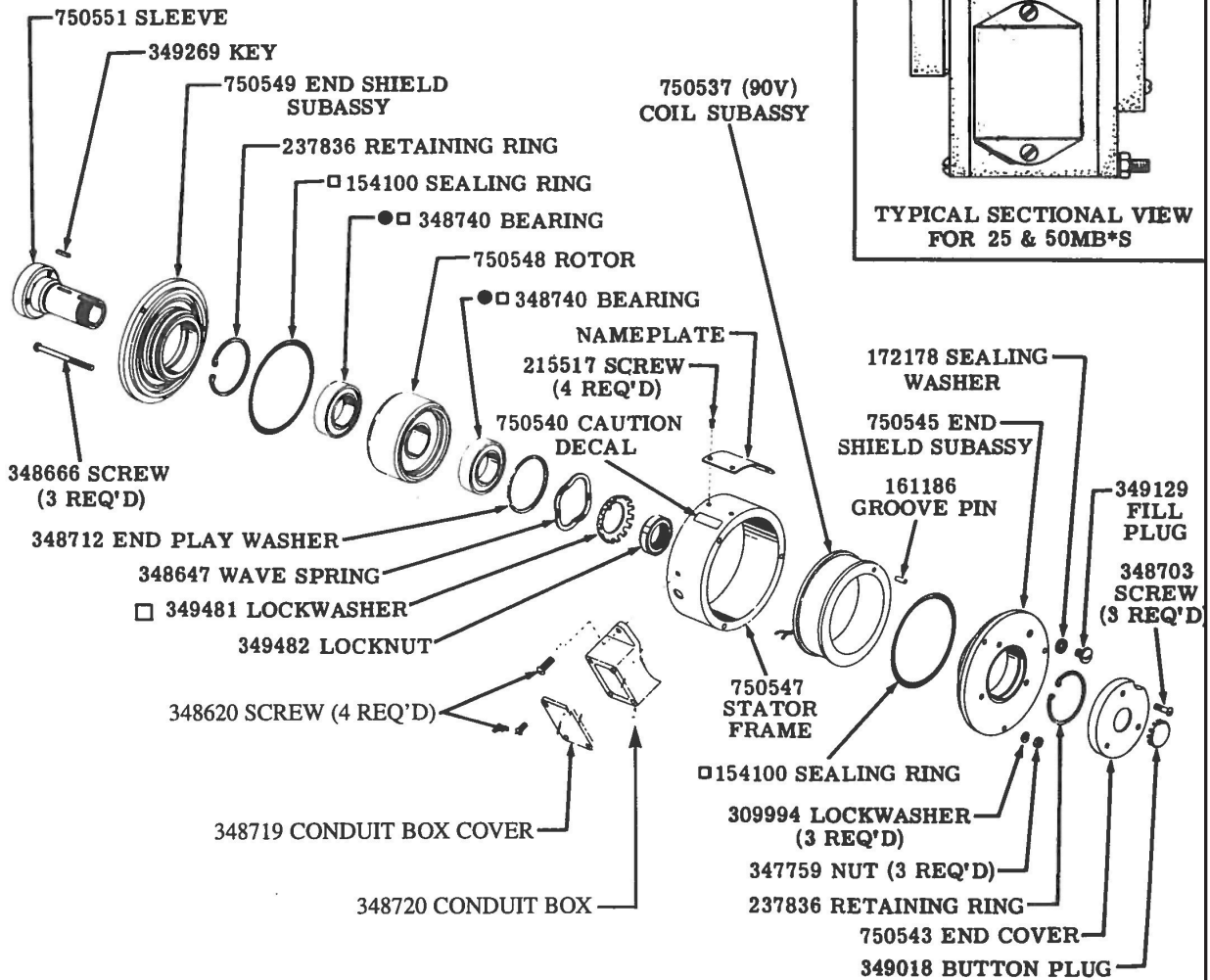


☐ INCLUDED IN
2907093 REPAIR KIT

CAUTION
DO NOT USE OIL TO FACILITATE ASSEMBLY OF PARTS. IF NECESSARY, A DRY LUBRICANT SUCH AS GRAPHITE OR MOLYKOTE TYPE Z MAY BE RUBBED ON THE BORE OF THE BEARINGS AND ROTOR.

25MB90S

□ 750971 MAGNETIC MEDIUM S/A
(REQUIRED FOR THE 25 LB. FT.
MAGNEBRAKE SERIES)

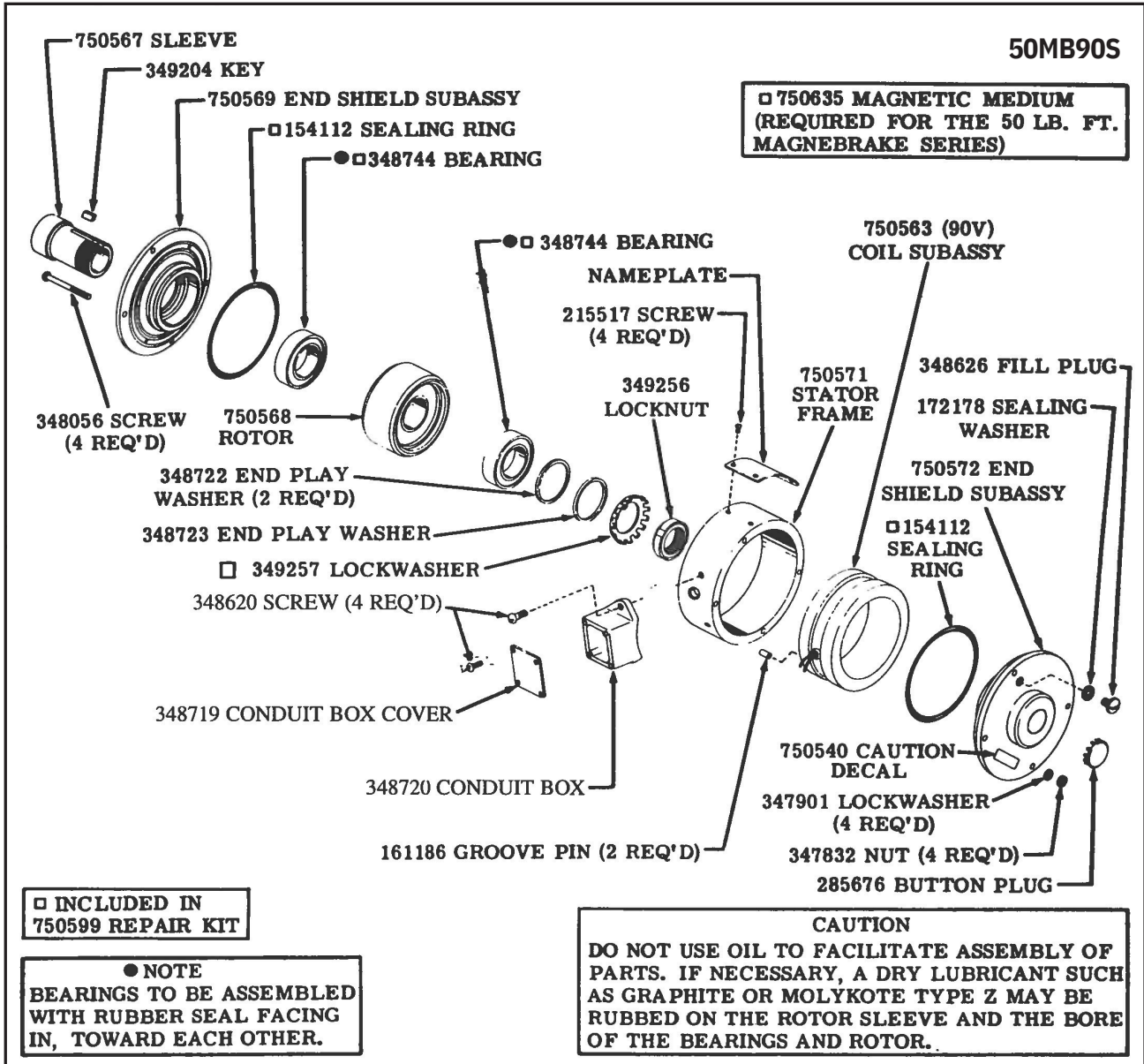


TYPICAL SECTIONAL VIEW FOR 25 & 50MB*S

□ INCLUDED IN
750388 REPAIR KIT

● NOTE
BEARINGS TO BE ASSEMBLED
WITH RUBBER SEAL FACING
IN, TOWARD EACH OTHER.

CAUTION
DO NOT USE OIL TO FACILITATE ASSEMBLY OF
PARTS. IF NECESSARY, A DRY LUBRICANT SUCH
AS GRAPHITE OR MOLYKOTE TYPE Z MAY BE
RUBBED ON THE ROTOR SLEEVE AND THE BORE
OF THE BEARINGS AND ROTOR.



MODEL CODE BREAKDOWN

