

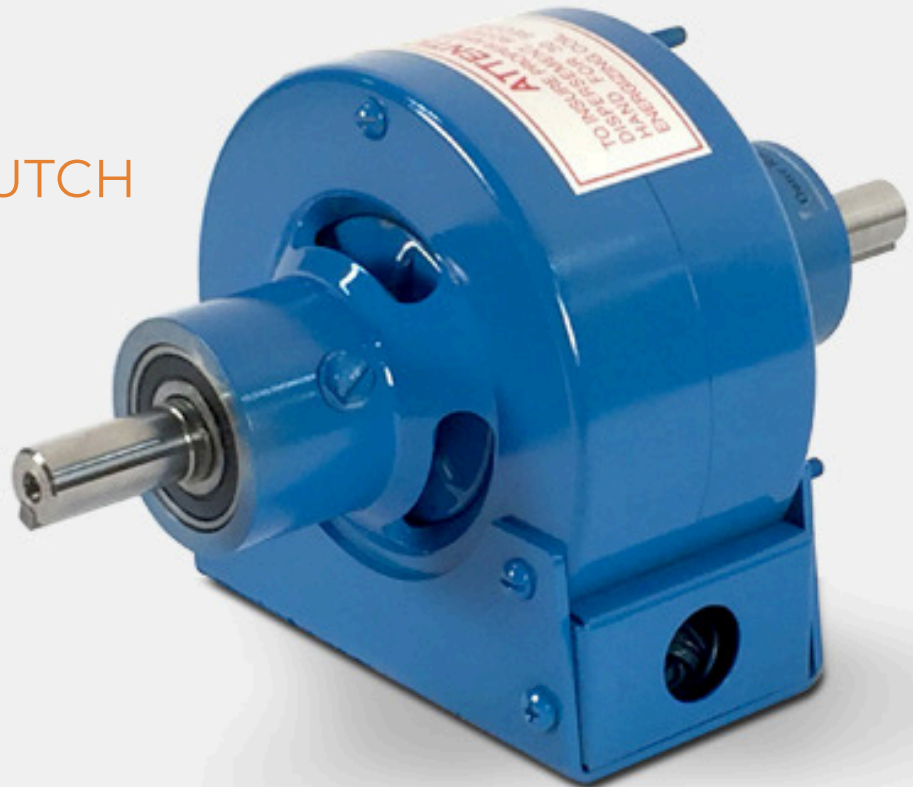


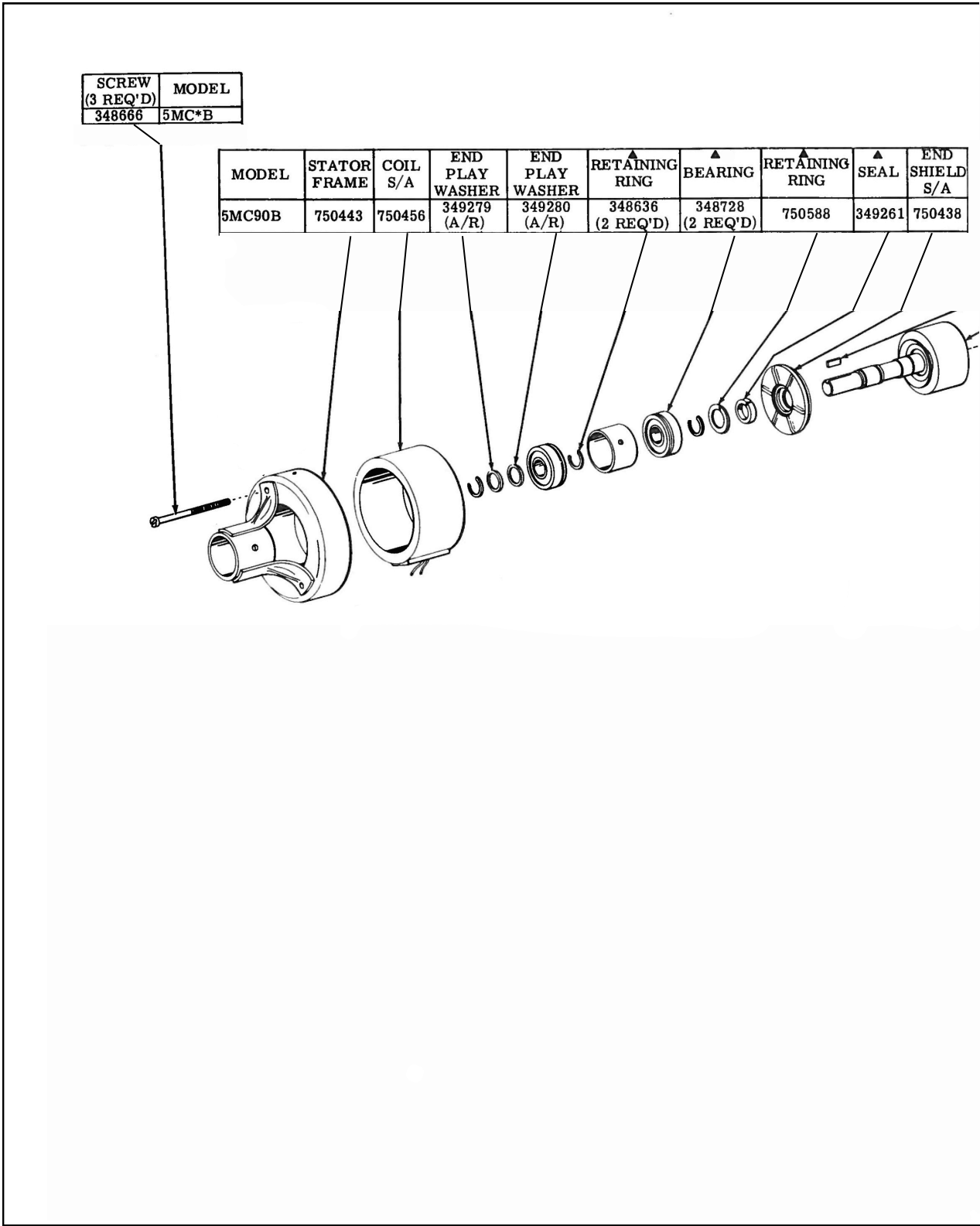
MAGNE POWER

SERVICE PARTS INFORMATION

Magneclutch Magnetic Particle Clutch

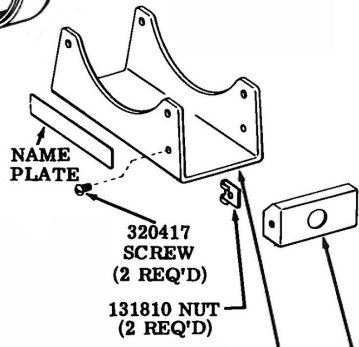
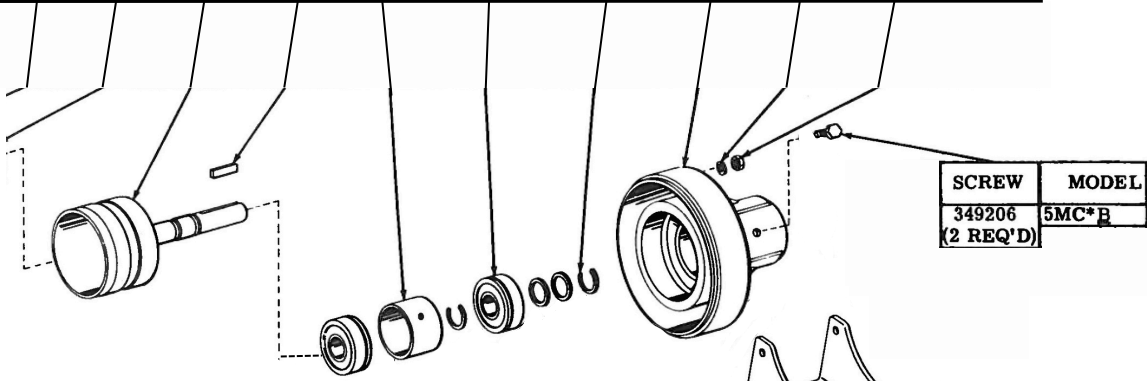
MAGNECLUTCH
MODELS:
5MC90B





▲ INCLUDED IN 750789 REPAIR KIT

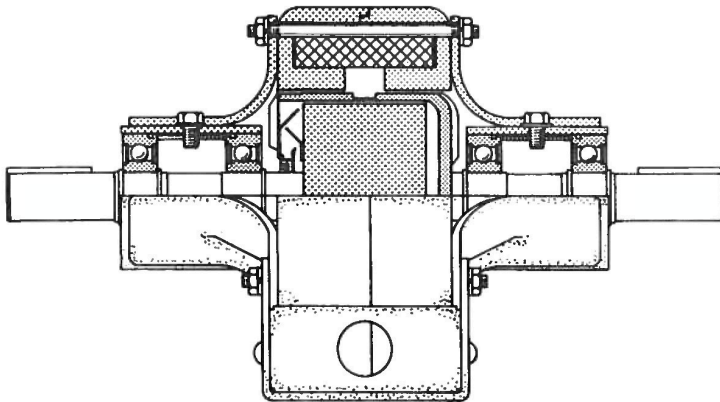
KEY	ROTOR S/A	DRIVING CYL. S/A	KEY	SPACER (2 REQ'D)	▲ BEARING (2 REQ'D)	▲ RETAINING RING (2 REQ'D)	STATOR FRAME	LOCK WASHER (3 REQ'D)	NUT (3 REQ'D)	▲ REPAIR KIT
349274	750431	750435	349274	750442	348728 (2 REQ'D)	348636 (2 REQ'D)	750448	309994 (3 REQ'D)	347759 (3 REQ'D)	750789



MODEL	BASE	TERM. LEAD COVER
5MC*B	750453	750452

▲ MAGNETIC MEDIUM	MODEL
750644	5MC*B

CAUTION
DO NOT USE OIL TO FACILITATE ASSEMBLY OF PARTS. IF NECESSARY, A DRY LUBRICANT SUCH AS GRAPHITE OR MOLYKOTE TYPE 2 MAY BE RUBBED ON THE ROTOR SLEEVE AND THE BORE OF THE BEARINGS.



5 LB. FT.
PARTICLE CLUTCH - TYPICAL SECTIONAL VIEW

MODEL CODE BREAKDOWN

