



MAGNE POWER

SERVICE PARTS INFORMATION

Magneclutch Magnetic Particle Clutch

MAGNECLUTCH
MODELS:
100MC90B20
100MCW90B20
100MC90F20/22



MODEL	REPAIR KIT	NOTE
100MC90B20	○ 2906947	METAL SHIELD OF BEARINGS MUST FACE IN, TOWARDS EACH OTHER, WHEN ASSEMBLED.
100MCW90B20	● 2906949	
100MC90F20	□ 2906948	

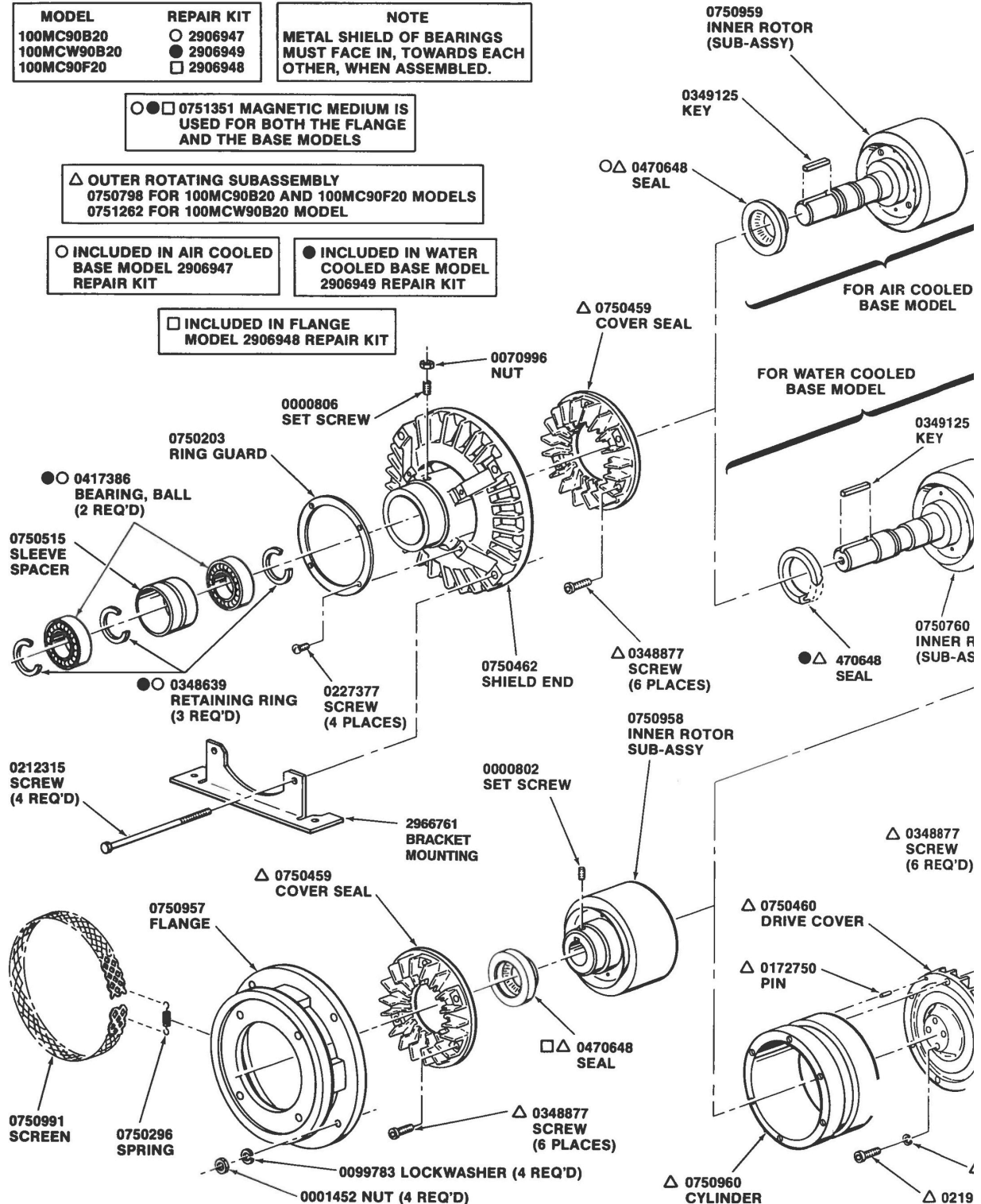
○●□ 0751351 MAGNETIC MEDIUM IS USED FOR BOTH THE FLANGE AND THE BASE MODELS

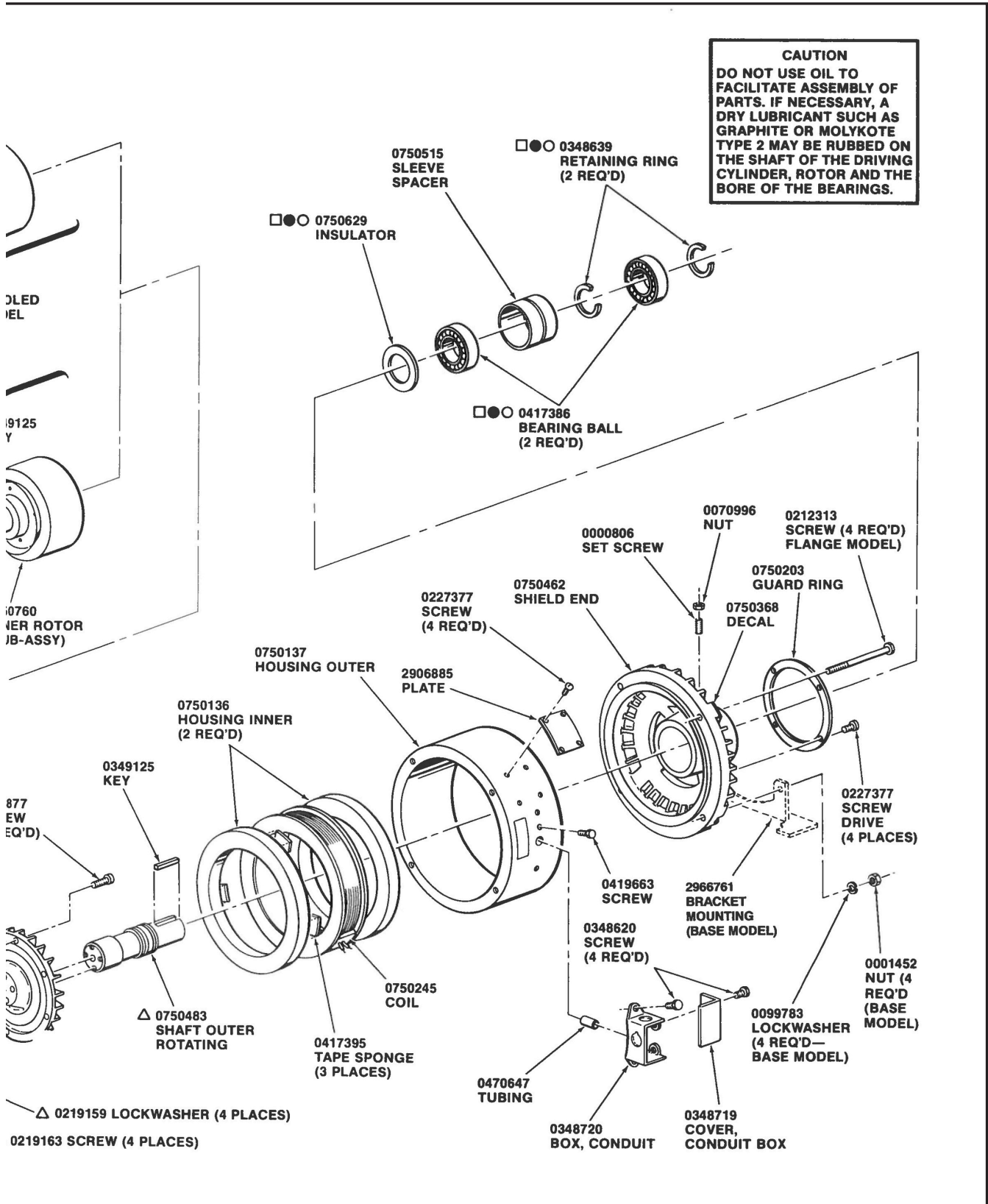
△ OUTER ROTATING SUBASSEMBLY
0750798 FOR 100MC90B20 AND 100MC90F20 MODELS
0751262 FOR 100MCW90B20 MODEL

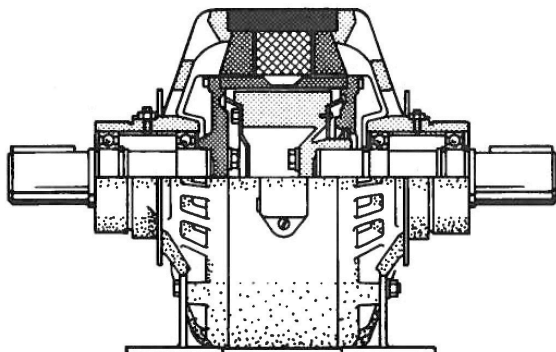
○ INCLUDED IN AIR COOLED BASE MODEL 2906947 REPAIR KIT

● INCLUDED IN WATER COOLED BASE MODEL 2906949 REPAIR KIT

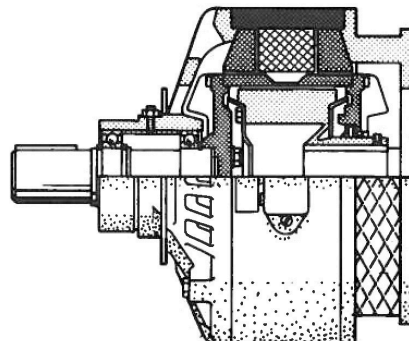
□ INCLUDED IN FLANGE MODEL 2906948 REPAIR KIT





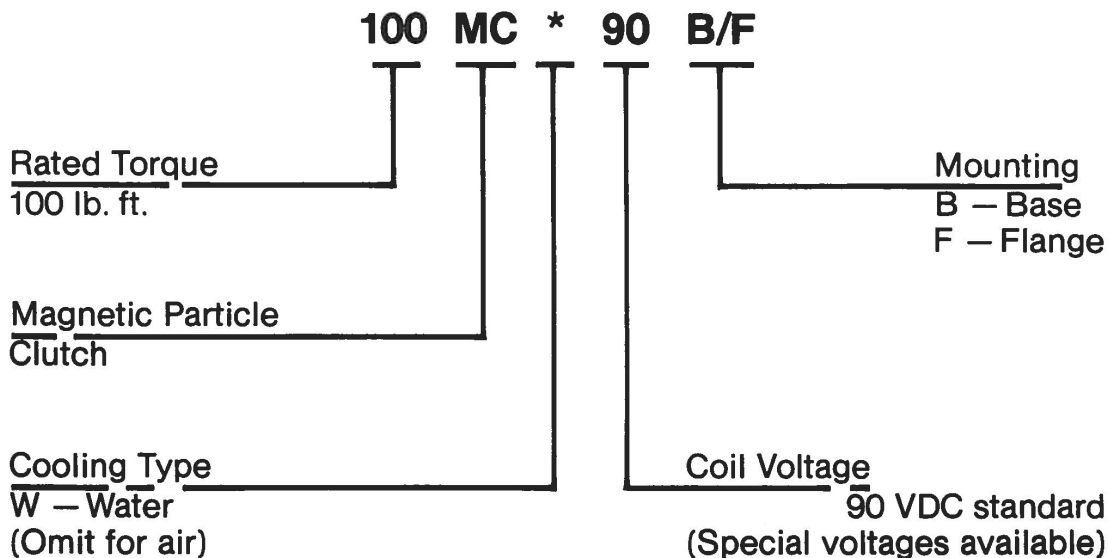


**TYPICAL BASE MODEL
SECTIONAL VIEW**



**TYPICAL FLANGE MODEL
SECTIONAL VIEW**

MODEL CODE BREAKDOWN



Design numbers subject to change. Installation dimensions remain as shown for design numbers 20 thru 29.