

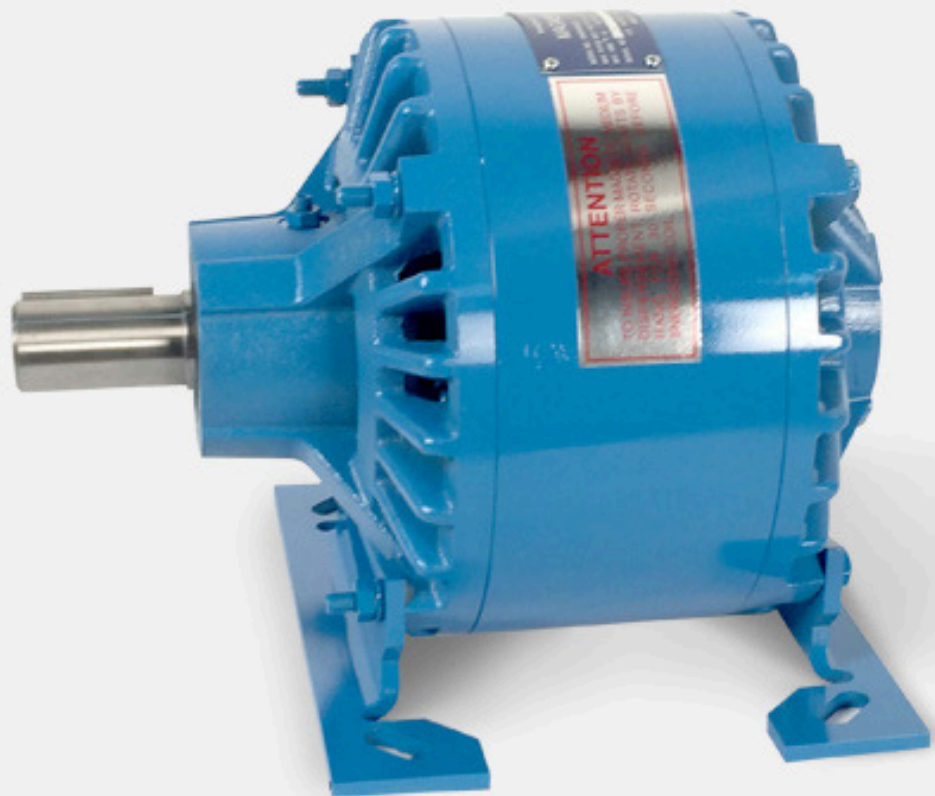


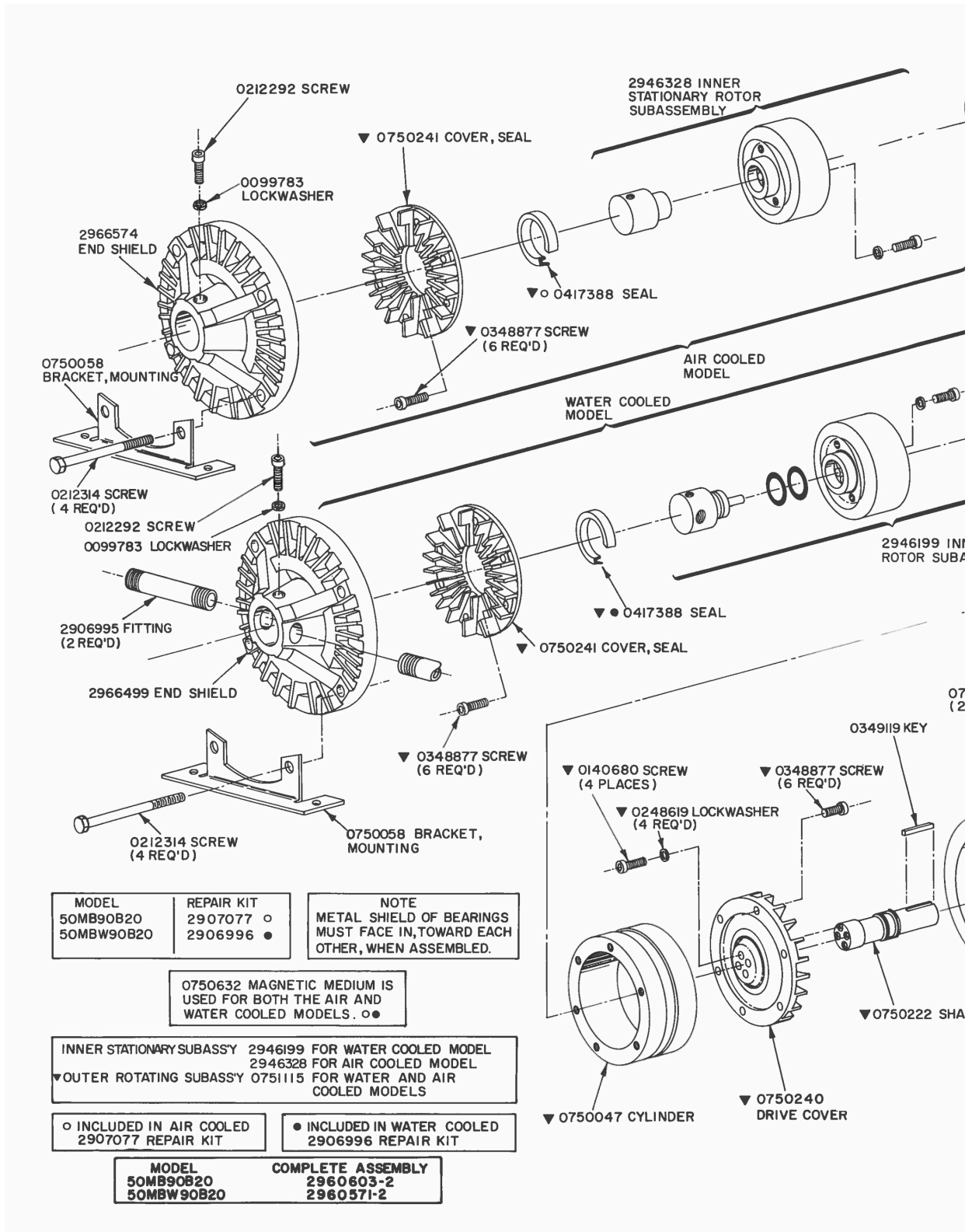
MAGNE POWER

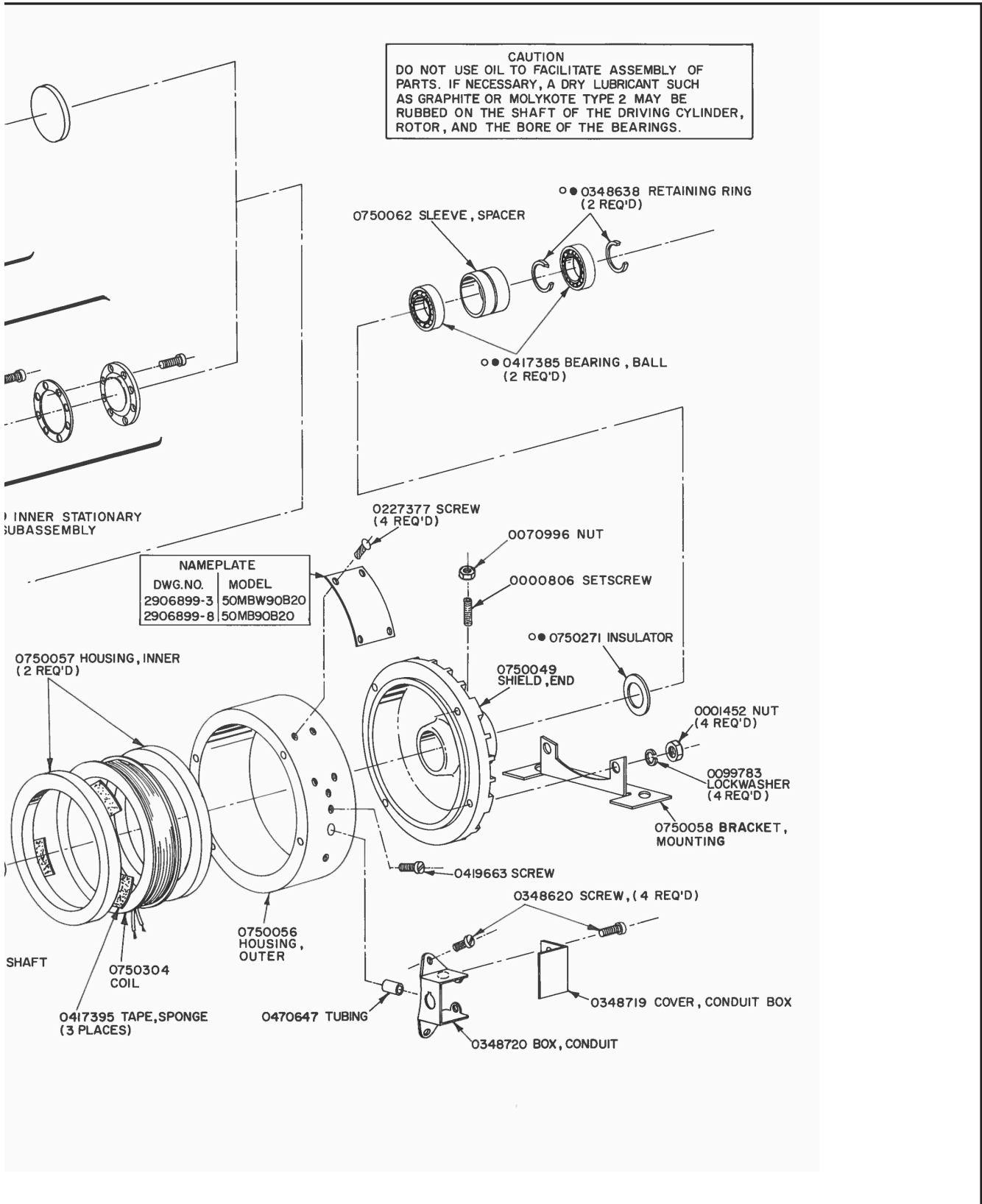
SERVICE PARTS INFORMATION

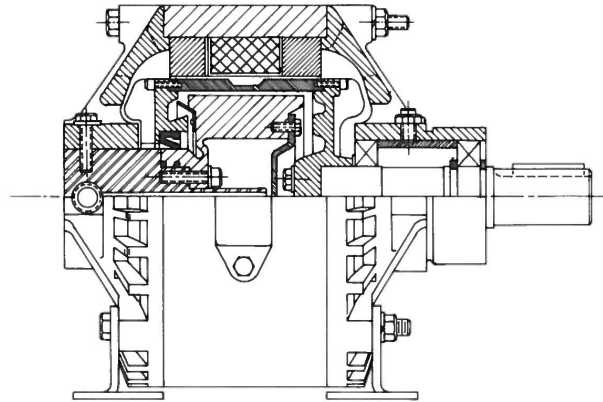
Magnebrake Magnetic Particle Brake

MAGNEBRAKE
MODELS:
50MB90B20
50MBW90B20



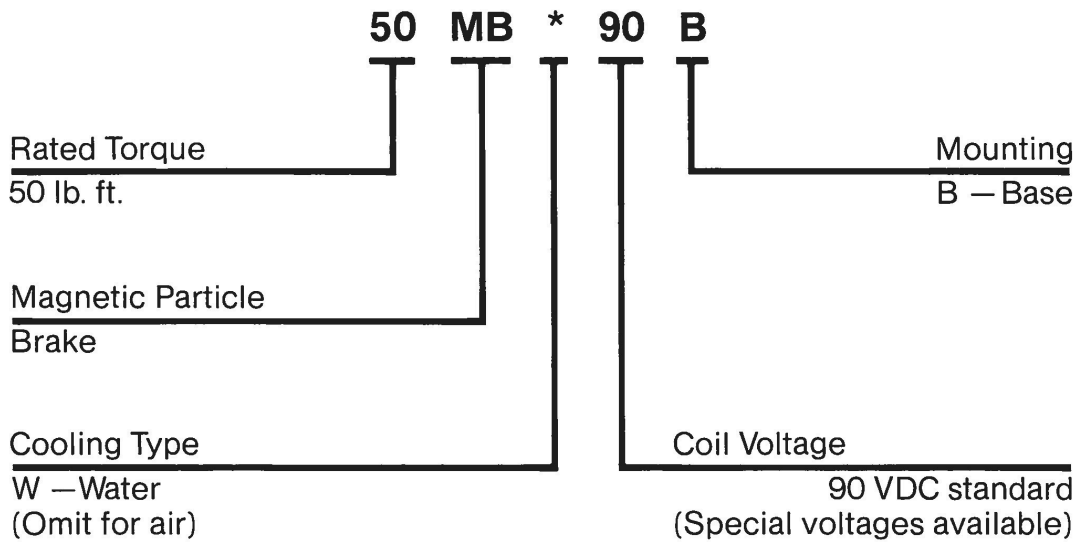






**TYPICAL BASE MODEL
SECTIONAL VIEW**

MODEL CODE BREAKDOWN



Design numbers subject to change. Installation dimensions remain as shown for design numbers 20 thru 29.